

Serie  
**DLS-001**  
"Dragon"

## Mud FlowLevel Return Sensor

A paddle type flow line sensor that uses an intrinsically safe Ex ia IIC (Zone 0) 10 bit absolute encoder to monitor the movement of the paddle.

4...20 mA 2 wire current loop output

Zone 0 Ex ia IIC Certified

**SIRA 11 ATEX 6274**

**IECEX SIR 10.0105X**

**CSA 2495719**

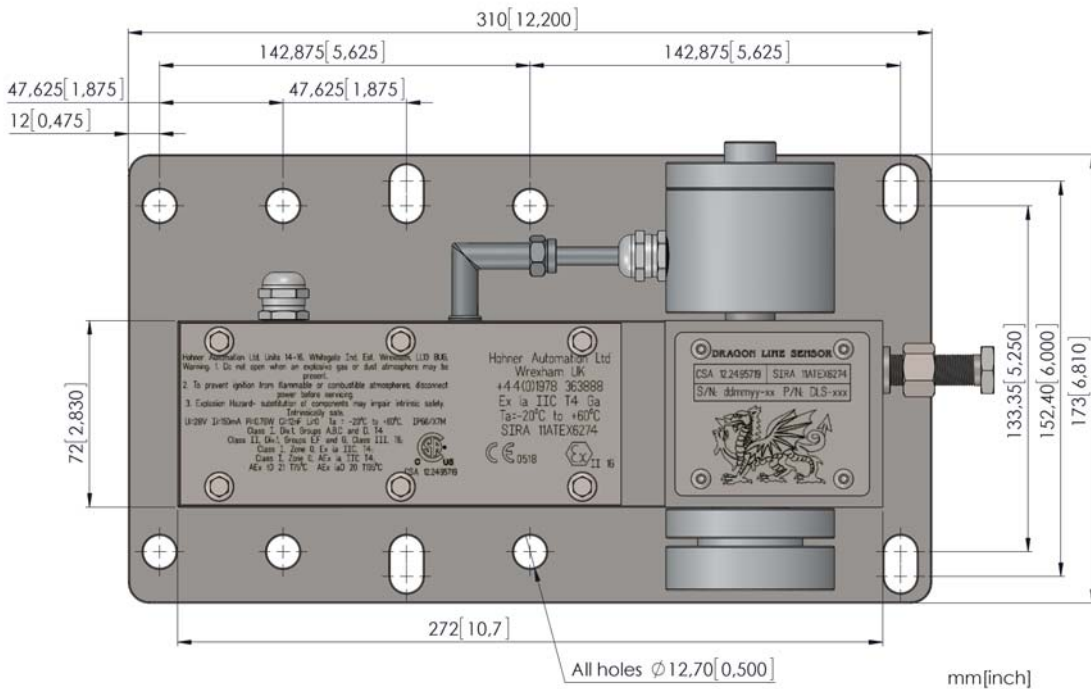
**GOST (CU) RU C-GB-ГБ05-B-00570**

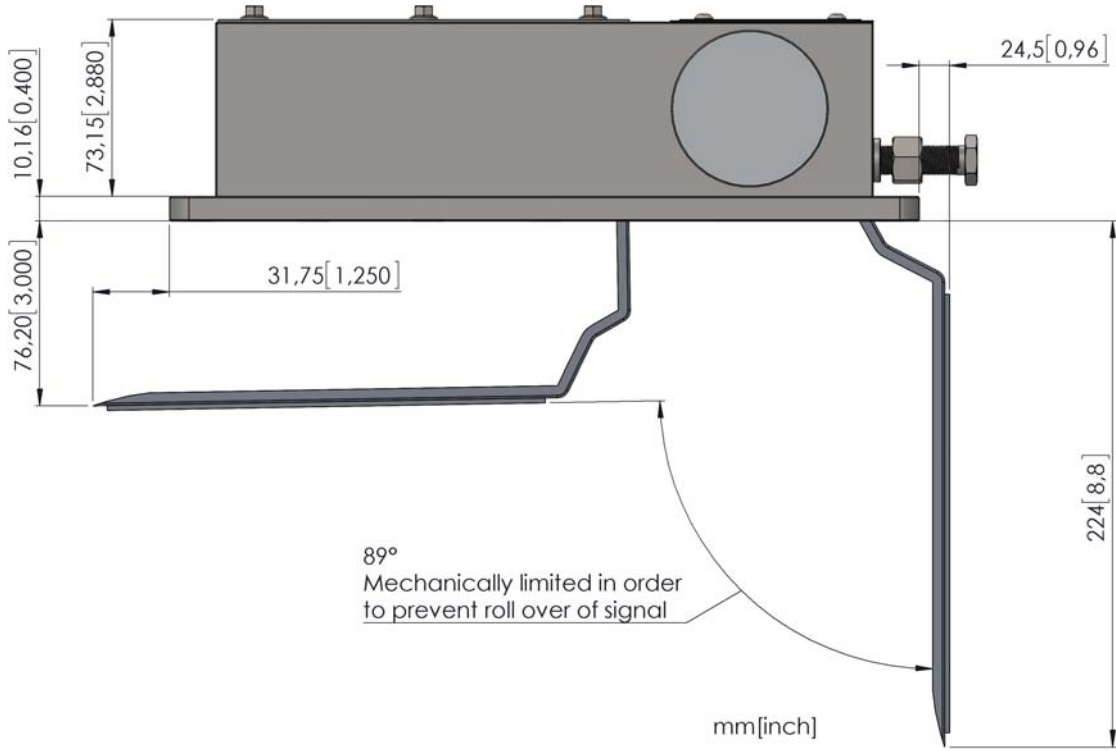
Precision:

8 absolute bits / 256 steps per the 90 degrees within 16mA equivalent to:

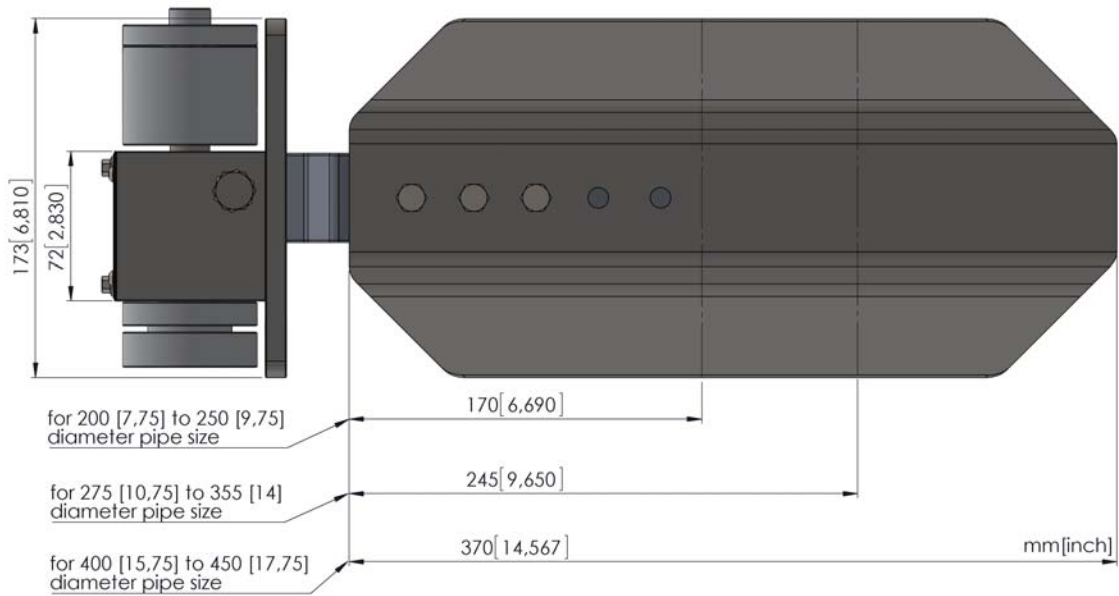
1 degree has 0.177mA

0.177mA has 2.84 steps





Paddles can be adjusted by 66 [2,6] along arm



**Technical Data**

Operating temp:	- 20 ...+ 60 degrees C - 4 ...+ 140 degrees F
Certification:	ATEX, IECEX, CSA
Weight:	26 lbs (12 kg)
Protection:	IP 66 / X7 M
Material Encoder:	Stainless Steel
Material Chassis:	Stainless Steel
Material Paddles:	Stainless Steel
Material Springs:	Stainless Steel

**Paddle's for Following Pipe Sizes**

Small Paddle	7.75" to 9.75" Ø 200 to 250mm Ø
Medium Paddle	10.75" to 14" Ø 275 to 355 Ø
Large Paddle	15.75" to 17.75" Ø 400 to 450mm Ø

*Paddles can be Tungsten Coated as an Option  
Different Shape and Size Paddles available*

**Certification**

IP 66 and Ex ia IIC T4  
SIRA 11 ATEX 6274  
IECEX SIR 10.0105C  
CSA 2495719

GOST Custom Union B00570

Best suited to work with the following MTL isolator: MTL5541

**Connection Options**

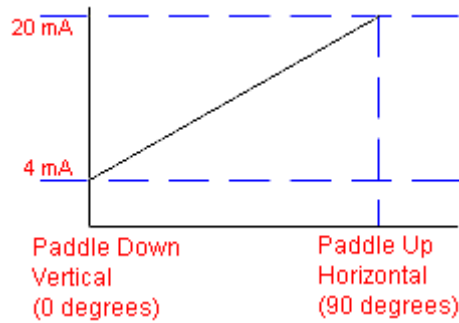
**Cable (available as wireless or with connector as well)**

+ Loop	Red (+ Current)
- Loop	Black (- Current)

**Output Limits**

When the paddle is down (vertical), the output is 4mA

When the paddle is up (horizontal), the output is 20mA

**Special Options**

- Different connectors and or cable glands
- Different mounting hole arrangements on base plates