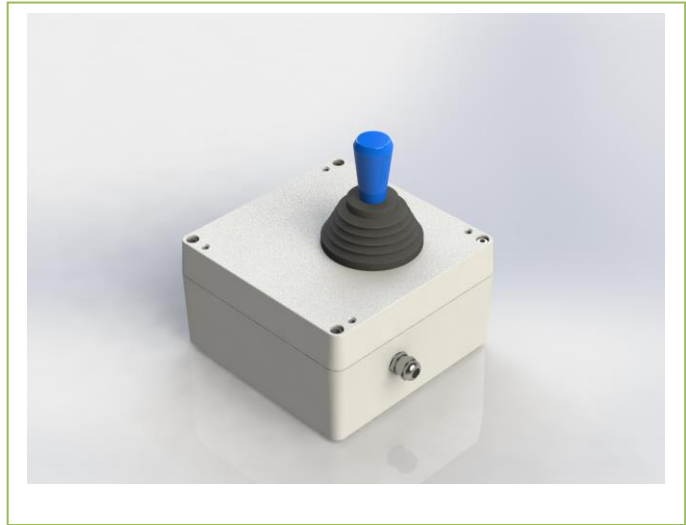


# JSK-001

## Multi-Axis Zone Zero 2 Wire Joystick

Part Number: JSK - 001

A multi-axis mechanical joystick featuring fully certified electronics for each axis output.  
Not relying on 'simple apparatus'  
Each Axis has a 4...20 mA 2 wire current loop output from an absolute encoder with Zone 0 certification  
Precision:  
7 absolute bits / 128 steps per the 45 degree movement within 16mA (+/- 22.5 degrees per axis)



### Technical Data

Operating temp:	- 20 ...+ 60 degrees C - 4 ...+ 140 degrees F
Certification:	ATEX, IECEx, CSA
Weight:	14 lbs (4 kg)
Protection:	IP 66
Material Encoder:	Stainless Steel
Material Enclosure	Coated Aluminum
Material Mechanism:	Anodized Aluminum
Material Bellows:	Molded Rubber

### Special Options

- Different connectors and or cable glands
- Different mounting hole arrangements
- Colour coding to customer requirements
- Adding customer logo for seamless integration

### Certification

IP 66 and Ex ia IIC T4

ATEX [\[Certificate\]](#)

IECEx [\[Certificate\]](#)

CSA [\[Certificate\]](#)

GOST (CU) [\[Certificate\]](#)

Best suited to work with the following MTL isolator: [MTL5541](#) (one per axis)

### Connection Options

Cable or 5 pin Turck Mini

	Cable	Connector
+ Loop X	Red	Pin 1
- Loop X	Black	Pin 2
+ Loop Y	White	Pin 4
- Loop Y	Blue	Pin 5

### Output

- Each axis has a 4...20mA output.
- For the multi-axis version, both axis work simultaneously. In other words, the user can rotate the joystick the full 360 degrees to give a full '3D' output
- Each axis moves 22.5 degrees in each direction (total 45)

### Range of each axis (current and movement)

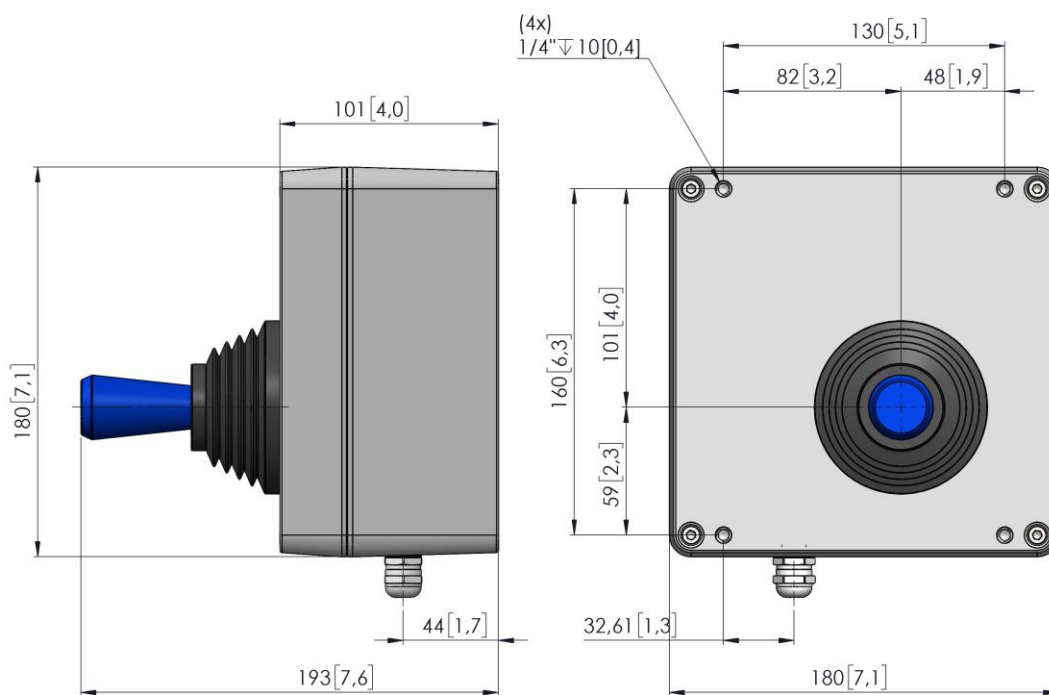
Negative Axis	Zero	Positive Axis
4mA (-22.5°)	12mA (0°)	20mA (+22.5°)

### Features

- Spring return to zero mechanism
- Indent locations, user feels a 'click' at 30% intervals
- Full and true quad-certification
- Full IP66 enclosed system
- Axis directions engraved on unit itself

### Enclosure

We use a fully certified enclosure from Phoenix Mechano. This guarantees IP66 protection and a sturdy frame



All quotes in mm[inch]

Nota: Tutte le immagini sono puramente indicative e non possono essere considerate vincolanti ai fini della fornitura  
All images are indicative and can not be considered binding the purpose of supplying